



CHARRED WOOD

For exterior cladding, we recommend Canadian Cedar (Eastern White or Western Red), which is well-known for its rot-proof properties. Shou Sugi Ban charred wood offers different color choices and can be adapted to your needs and preferences. The charring of the wood solidifies its surface, while our finishing products complete its protection by saturating the pores and making it impermeable. The Shou Sugi Ban treatment also slows the degradation of the wood caused by the sun and adverse weather (rain, wind, etc.).

SPECIES:

- Eastern White Pine.
- Eastern White Cedar.
- Western Red Cedar.

CHARACTERISTICS:

- Average humidity of the wood: 8-12%.
- Surface finish: brushed finish, sealed.
- Installation: without apparent nail.
- Finish: natural oil with UV protection.
- Assembly: tongue and groove.
- Total width: 4½" or 5-3/8".
- Covering width: 4¼" or 5".
- Length: 6' to 12'.

USAGE

Exterior and interior cladding.

PRIOR TO INSTALLATION:

Protect the product from the elements before installation and allow to acclimate for 72 hours in the installation environment.

HORIZONTAL INSTALLATION :

Create a ¾" air surface between the cladding and the wall by securing 16" spaced battens perpendicular to the cladding.

VERTICAL INSTALLATION:

Create a 1½" air surface between the cladding and the wall for optimal airflow (APCHQ recommends for exterior installation a double horizontal and vertical battening).

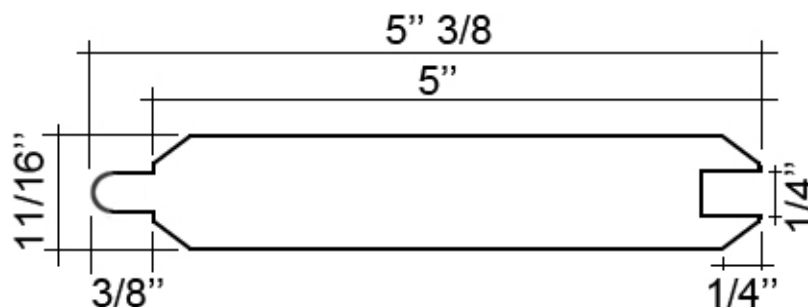
OBLIQUE INSTALLATION:

- Create a ¾" air surface between the cladding and the wall by securing 12" spaced battens to ensure for enough nailing.

NOTES:

- Use 1½" (16 gauge) stainless steel nails.
- Seal all cuts with tinted oil.

DIMENSIONS



WOOD MOLDINGS (can be provided by Cayaki Inc. as an option)

White Pine

3½" x ¾"

4½" x ¾"

5½" x ¾"

Red Cedar

3½" x ¾"

4½" x ¾"

7¼" x ¾"

White Cedar

3¼" x ¾"

4¼" x ¾"

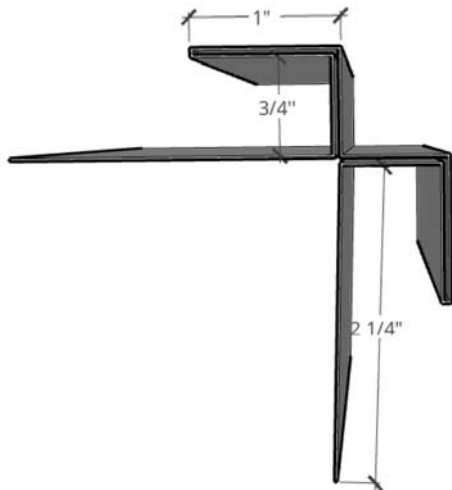
5¼" x ¾"

3¼" x 1½"

4¼" x ¾"

5¼" x ¾"

CORNER MOLDINGS (not supplied by Cayaki Inc., available in store only)



Length: 108 in. (2 743 mm)

Depth: ¾ in. (19 mm)

Material: Aluminum

Thickness: .022 in. (0.6 mm)

Color: see in store